

*PiperSport*

## **Pilot's Operating Handbook**



**Airplane Registration Number:**

**Airplane Serial Number: P1001085**

***PiperSport Distribution Inc.***

*Intentionally left blank*

*PiperSport*

## Pilot's Operating Handbook



***PiperSport aircraft is designed and manufactured by***



CZECH  
SPORT AIRCRAFT

Czech sport aircraft a.s.  
Na Záhonech 1177/212, 686 04 Kunovice  
Czech Republic

[www. czechsportaircraft.com](http://www.czechsportaircraft.com); [office@czechsportaircraft.com](mailto:office@czechsportaircraft.com)  
Fax: +420 576 519 394, Phone: +420 576 514 034 (Sales Dept.)

*Intentionally left blank*

## RECORD OF REVISIONS

No.	Affected pages	Revision name	Date of Issue	Signature

*Intentionally left blank*

## LIST OF EFFECTIVE PAGES

Section	Page	Revision No.	Section	Page	Revision No.
	i	-	2	2-6	-
	ii	-		2-7	-
	iii	-		2-8	-
	iv	-		2-9	-
	v	-		2-10	-
	vi	-		2-11	-
	vii	-		2-12	-
	viii	-			
	ix	-	3	3-1	-
	x	-		3-2	-
	xi	-		3-3	-
	xii	-		3-4	-
	xiii	-		3-5	-
	xiv	-		3-6	-
	xv	-		3-7	-
	xvi	-		3-8	-
				3-9	-
1	1-1	-		3-10	-
	1-2	-			
	1-3	-	4	4-1	-
	1-4	-		4-2	-
	1-5	-		4-3	-
	1-6	-		4-4	-
				4-5	-
2	2-1	-		4-6	-
	2-2	-		4-7	-
	2-3	-		4-8	-
	2-4	-		4-9	-
	2-5	-		4-10	-

## LIST OF EFFECTIVE PAGES (Cont'd)

Section	Page	Revision No.	Section	Page	Revision No.
5	5-1	-	7	7-1	-
	5-2	-		7-2	-
	5-3	-		7-3	-
	5-4	-		7-4	-
	5-5	-		7-5	-
	5-6	-		7-6	-
	5-7	-		7-7	-
	5-8	-		7-8	-
	5-9	-			
	5-10	-	8	8-1	-
	5-11	-		8-2	-
	5-12	-		8-3	-
				8-4	-
6	6-1	-		8-5	-
	6-2	-		8-6	-
	6-3	-			
	6-4	-	9	9-1	-
	6-5	-		9-2	-
	6-6	-			
	6-7	-			
	6-8	-			



## LIST OF ABBREVIATIONS

ADI	Attitude direction indicator	
ALT	Altitude or Altimeter	
ATC	Air Traffic Control	
ASI	Airspeed Indicator	
bar	Pressure unit	(1 bar = 14.5037 psi)
BEACON	Anti-collision beacon	
°C	Temperature in degree of Celsius	(1°C = (°F - 32) / 1.8)
CAS	Calibrated Airspeed	
CDI	Course deviation indicator	
CHT	Cylinder head temperature	
COMM	Communication transceiver	
EFIS	Electronic Flight Instrument System	
ELT	Emergency Locator Transmitter	
EMS	Engine Monitoring System	
°F	Temperature in degree of Fahrenheit	(1°F = (°C x 1.8) + 32)
ft	Foot or feet	(1 ft = 12 in = 0.305 m = 305 mm)
fpm	Vertical speed in feet per minute	(1 fpm = 0.0051 m/s)
GPS	Global Positioning System	
hp	Power unit	(1 hp = 0.7457 kW)
IAS	Indicated Airspeed	
IC	Intercom	
IFR	Instrument Flight Rules	
in	Inch	(1 in = 25.4 mm)
ISA	International Standard Atmosphere	
KCAS	Calibrated Airspeed in Knots	
kg	Kilogram	(1 kg = 2.205 lb)
KIAS	Indicated Airspeed in Knots	
km	kilometer	(1 km = 1000 m = 0.54 NM = 0.621 SM)
km/h	Speed in kilometers per hour	(1 km/h = 0.54 knots = 0.621 mph = 0.278 m/s)
knot	Speed in NM per hour	(1 knot = 1.151 mph = 1.852 km/h = 0.514 m/s)
kW	Power unit	(1 kW = 1.341 hp)
l	Liter	(1 l = 0.22 UK gal = 0.264 US gal)
lb	Pound	(1 lb = 0.454 kg)
lbf	Force unit	(1 lbf = 4.448 N)
m	Meter	(1 m = 1000 mm = 3.28 ft = 39.37 in)
mm	Millimeter	(1 mm = 0.03937 in)
MAC	Mean Aerodynamic Chord	
max.	Maximum	
min.	Minimum or minute	
mph	Speed in statute miles per hour	(1 mph = 0.87 knots = 1.61 km/h)
m/s	Speed in meters per second	(1 m/s = 196.8 fpm = 1.944 knots = 3.6 km/h)

N	Newton - force unit	(1 N = 0.225 lbf)
NM	Nautical mile	(1 NM = 1,852 m)
OFF	System is switched off or control element is in off-position	
ON	System is switched on or control element is in on-position	
OAT	Outside Air Temperature	
POH	Pilot Operating Handbook	
psi	Pressure unit - pound per square inch	(1psi = 0.0689bar)
rpm	Revolutions per minute	
s or sec	Second	
SM	Statute Mile	(1SM = 1,609 m)
US gal	US gallon	(1 US gal = 0.83 UK gal = 3.785 l)
V	Volt	
VFR	Visual Flight Rules	
VMC	Visual Meteorological Conditions	
VSI	Vertical Speed Indicator	
VTU	Vertical tail unit	
V <sub>A</sub>	Maneuvering airspeed	
V <sub>FE</sub>	Maximum flap extended speed	
V <sub>NE</sub>	Never exceed speed	
V <sub>NO</sub>	Maximum designed cruising speed	
V <sub>SO</sub>	Stall speed with wing flaps in extended position	
V <sub>S1</sub>	Stall speed with wing flaps in retracted position	
V <sub>X</sub>	Best angle of climb speed	
V <sub>Y</sub>	Best rate of climb speed	

## ASTM STANDARDS

The PiperSport aircraft is designed and built according to following ASTM LSA standards:

**ASTM F 2245 – 09**

Standard Specification for Design and performance of a Light Sport Airplane

**ASTM F 2279 – 10**

Standard Practice for Quality Assurance in Manufacture of Fixed Wing Light Sport Aircraft

**ASTM F 2295 – 10**

Standard Practice for Continued Operational Safety Monitoring of a Light Sport Aircraft

**ASTM F 2316 – 08**

Standard Specification for Airframe Emergency Parachutes for Light Sport Aircraft

**ASTM F 2746 – 09**

Standard Specification for Pilot's Operating Handbook (POH) for Light Sport Airplane

*Intentionally left blank*

## CONTACT INFORMATION



Czech sport aircraft a.s.  
Na Záhonech 1177/212, 686 04 Kunovice  
Czech Republic

[www.czechsportaircraft.com](http://www.czechsportaircraft.com); [office@czechsportaircraft.com](mailto:office@czechsportaircraft.com)  
Fax: +420 576 519 394, Phone: +420 576 514 034 (Sales Dept.)

## CONTACT INFORMATION FOR RECOVERY OF CERTIFICATION DOCUMENTATION:

**PiperSport Distribution Inc.**

*Intentionally left blank*

## TABLE OF CONTENTS

1. General Information
2. Limitations
3. Emergency Procedures
4. Normal Procedures
5. Performance
6. Weight and Balance
7. Description of Airplane and Systems
8. Handling and Servicing
9. Supplements

*Intentionally left blank*



# **SECTION 1**

## **TABLE OF CONTENTS**

### **1. GENERAL INFORMATION**

<b>1.1</b>	<b>Airplane specification</b>	<b>1-2</b>
<b>1.2</b>	<b>Summary of performances</b>	<b>1-5</b>

# 1. GENERAL INFORMATION

This Pilot Operating Handbook has been prepared to provide pilots with information for the safe and efficient operation of the *PiperSport* aircraft and contains 9 sections. It also contains supplementary information considered to be important by the aircraft manufacturer. The Aircraft Flight Training Supplement is a part of this handbook too.

Date of issue is written in the yy/mm/dd format.

**NOTE**

*All airspeeds shown in the POH are IAS, except if shown otherwise.*

## Warnings, Cautions and Notes

The following definitions apply to warnings, cautions and notes in the Pilot's Operating Handbook.

**WARNING**

*Means that the non-observation of the corresponding procedure leads to an immediate or important degradation of the flight safety i.e. to injury or death of persons.*

**CAUTION**

*Means that the non-observation of the corresponding procedure leads to a minor or possible long term degradation of the flight safety.*

**NOTE**

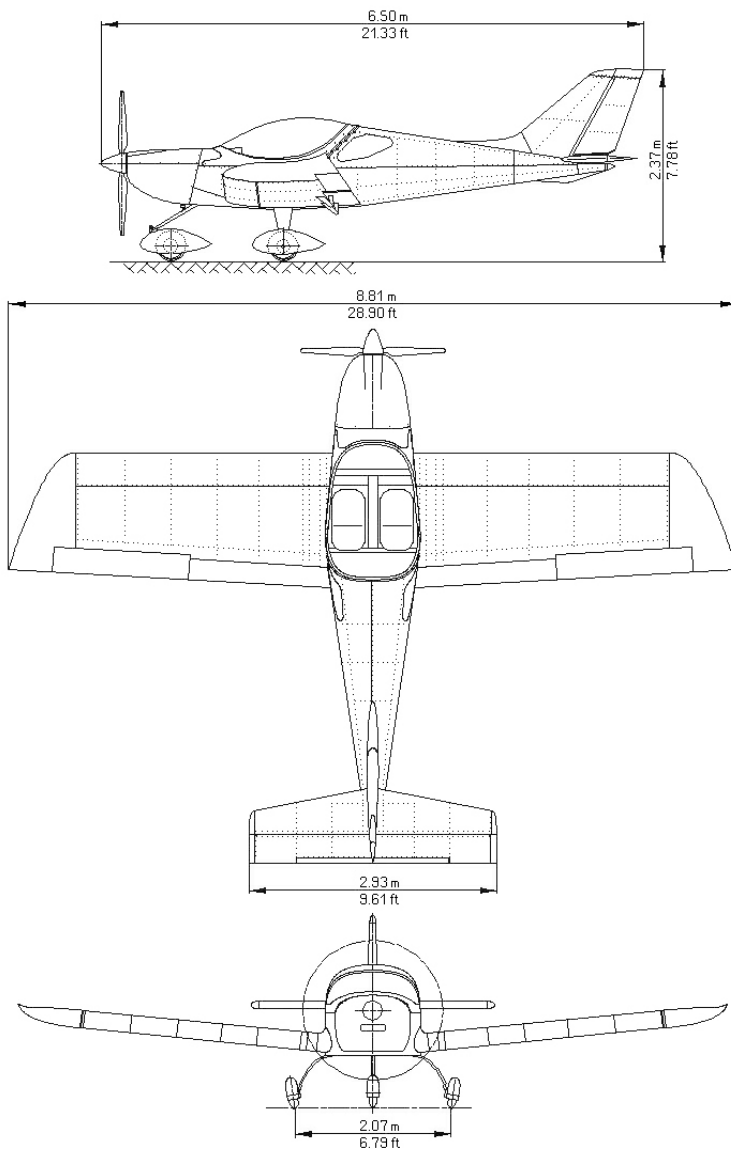
*Draws attention to any special item not directly related to safety but which is important or unusual.*

## 1.1 Airplane specification

*PiperSport* is the airplane intended especially for recreational and cross-country flying, and non-aerobatics operation.

*PiperSport* is a single-engine, all metal, low-wing monoplane of semi-monocoque structure with two side-by-side seats. The airplane is equipped with a fixed tricycle undercarriage with castoring nose wheel.

**Aircraft layout:**



**Main airplane dimensions:**

Wing span.....	8.81 [m]	(28.90 [ft])
Length.....	6.50 [m]	(21.33 [ft])
Height .....	2.37 [m]	(7.78 [ft])
Wing area .....	12.3 [m <sup>2</sup> ]	(132.3 [sq ft])
Wing loading.....	49 [kg/m <sup>2</sup> ]	(10 [lb/sq ft])
Cockpit width .....	1.17 [m]	(46 [in])

**Flight control surfaces travel:**

Rudder.....	30° to each side
Elevator .....	+ 28°/- 25°
Aileron .....	+ 20°/- 15°
Flaps.....	0° to 30°
Aileron trim .....	+ 20°/- 20°
Elevator trim .....	+ 22°/- 28°

**Engine:**

Manufacturer .....	BRP-Rotax GmbH&Co.KG
Model number.....	912ULS
Maximum horsepower rating.....	73.5 kW (98.6 hp) at 5,800 RPM
Cooling .....	liquid and air
Type .....	4-stroke, 4 cylinder, horizontally opposed, spark ignition engine with one central camshaft-push-rod-OHV

**Propeller:**

Manufacturer .....	WOODCOMP s.r.o.
Model number.....	KLASSIC 170/3/R
Number of blades .....	3
Diameter.....	1,720 [mm] (68 [in])
Pitch setting.....	17.5 ± 0.5°
Type .....	three composite blades, ground adjustable

## 1.2 Summary of performances

### Weights:

Max. takeoff and landing weight .....	600 [kg]	(1,320 [lb])
Max. weight of fuel.....	82 [kg]	(180 [lb])
Max. baggage weight in rear fuselage .....	18 [kg]	(40 [lb])
Max. baggage weight in each wing locker .....	20 [kg]	(44 [lb])
Empty weight (minimum equipment).....	345 [kg]	(760 [lb])

### NOTE

*Actual empty weight is shown in Section 9, Supplement No. 02*

Wing loading.....	49 [kg/m <sup>2</sup> ]	(10 [lb/sq ft])
Power loading.....	8.15 [kg/kW]	(13.39 [lb/hp])

### Speeds:

Maximum at sea level.....	119 [knot]	(220 [km/h])
Cruise, 75% power at 3,000 ft .....	93 [knot]	(172 [km/h])

### Range and endurance:

Range.....	516 [NM]	(953 [km])
Endurance .....	5:25 [h:mm]	

#### Conditions:

Usable fuel.....	113 [liter]	(29.85 [US gal])
75% power of engine.....	5,000 RPM	
Altitude.....	3,000 [ft]	
Reserve .....	30 minutes	

**Rate of climb:**

At sea level.....	825 [fpm]	(4.2 [m/s])
Best angle of climb speed ( $v_x$ ).....	56 [knot]	(104 [km/h])
Best rate of climb speed ( $v_y$ ).....	62 [knot]	(115 [km/h])

**Stall speeds:**

$V_{S0}$ – flaps down, power - idle.....	32 [knot]	(59 [km/h])
$V_{S1}$ – flaps up, power - idle.....	39 [knot]	(72 [km/h])

**Fuel:**

Total fuel capacity.....	114 [liter]	(30.12 [US gal])
Total usable fuel.....	113 [liter]	(29.85 [US gal])
Approved types of fuel.....	see chapter 2.11	

**Engine power:**

Maximum power at 5,800 RPM.....	73.5 [kW]	(98.6 [hp])
Max. continuous power at 5,500 RPM.....	69 [kW]	(92.5 [hp])

# **SECTION 2**

## **TABLE OF CONTENTS**

### **2. LIMITATIONS**

<b>2.1</b>	<b>Airspeed indicator range markings</b>	<b>2-2</b>
<b>2.2</b>	<b>Stalling speeds at maximum takeoff weight</b>	<b>2-2</b>
<b>2.3</b>	<b>Flap extended speed range</b>	<b>2-3</b>
<b>2.4</b>	<b>Maneuvering speed</b>	<b>2-3</b>
<b>2.5</b>	<b>Maximum structural cruising speed</b>	<b>2-3</b>
<b>2.6</b>	<b>Never exceed speed</b>	<b>2-3</b>
<b>2.7</b>	<b>Service ceiling</b>	<b>2-3</b>
<b>2.8</b>	<b>Load factors</b>	<b>2-3</b>
<b>2.9</b>	<b>Approved maneuvers</b>	<b>2-3</b>
<b>2.10</b>	<b>Operating weights and loading</b>	<b>2-4</b>
<b>2.11</b>	<b>Fuel</b>	<b>2-5</b>
<b>2.12</b>	<b>Engine operating speeds and limits</b>	<b>2-6</b>
<b>2.13</b>	<b>Engine instruments markings</b>	<b>2-7</b>
<b>2.14</b>	<b>Other limitations</b>	<b>2-7</b>
<b>2.15</b>	<b>Limitation placards and markings</b>	<b>2-9</b>
<b>2.16</b>	<b>Miscellaneous placards and markings</b>	<b>2-10</b>

## 2. LIMITATIONS

**CAUTION**

*Airspeeds values are valid for standard AVIATIK WA037383 pitot-static probe.*

### 2.1 Airspeed indicator range markings

**NOTE**

*The stated stall speeds are valid for all flight altitudes.*

Marking	IAS value or range		Significance
	<i>knot</i>	<i>km/h</i>	
White arc	<b>32-75</b>	<b>59-139</b>	Flap Operating Range.
Green arc	<b>39-108</b>	<b>72-200</b>	Normal Operating Range.
Yellow arc	<b>108-138</b>	<b>200-255</b>	Maneuvers must be conducted with caution and only in smooth air.
Red line	<b>138</b>	<b>255</b>	Maximum speed for all operations.

### 2.2 Stalling speeds at maximum takeoff weight

Conditions: Weight: MTOW Engine: idle	Wing flaps pos.	IAS		CAS		Altitude loss at recovery	
		<i>knot</i>	<i>km/h</i>	<i>knot</i>	<i>km/h</i>	<i>ft</i>	<i>m</i>
Wing level stall	0°	39	72	43	80	65	20
	15°	35	65	39	72	49	15
	30°	32	59	37	69	33	10
Coordinated turn 30° bank	0°	42	78	46	85	82	25
	15°	38	70	42	78	66	20
	30°	35	65	39	72	49	15



### 2.3 Flap extended speed range - $V_{S0}$ to $V_{FE}$

Flap operating range (IAS):

32 - 75 [knot] (59 - 139 [km/h])

### 2.4 Maneuvering speed - $V_A$

Maneuvering speed (IAS) at 600 [kg] (1,320 [lb]):

88 [knot] (163 [km/h])

Maneuvering speed (IAS) at 408 [kg] (900 [lb]):

70 [knot] (130 [km/h])

### 2.5 Maximum structural cruising speed - $V_{NO}$

Maximum structural cruising speed (IAS):

108 [knot] (200 [km/h])

### 2.6 Never exceed speed - $V_{NE}$

Never exceed speed (IAS):

138 [knot] (255 [km/h])

### 2.7 Service ceiling

Service ceiling..... 14,378 [ft] (4,382 [m])

### 2.8 Load factors

Maximum positive limit load factor ..... + 4 g

Maximum negative limit load factor..... - 2 g

### 2.9 Approved maneuvers

The *PiperSport* is approved for normal and below listed maneuvers:

- Steep turns not exceeding 60° bank
- Lazy eights
- Chandelles
- Stalls (except whip stalls)

## 2.10 Operating weights and loading

Max. takeoff weight.....	600 [kg]	(1,320 [lb])
Max landing weight.....	600 [kg]	(1,320 [lb])
Max. weight of fuel.....	82 [kg]	(180 [lb])
Max. baggage weight in rear fuselage.....	18 [kg]	(40 [lb])
Max. baggage weight in each wing locker .....	20 [kg]	(44 [lb])
Empty weight (minimum equipment).....	345 [kg]	(760 [lb])

**NOTE**

*Actual empty weight is shown in Section 9, Supplement No. 02*

**WARNING**

Do not exceed maximum takeoff weight 600 [kg] (1,320 [lb]) !

Number of seats .....	2	
Minimum crew .....	1 pilot on the left seat	
Minimum crew weight .....	43 [kg]	(95 [lb])
Maximum crew weight on each seat.....	115 [kg]	(253 [lb])

## 2.11 Fuel

### Fuel volume:

Wing fuel tanks capacity.....	2x57 [liter]	(2x15.06 [US gal])
Total fuel capacity.....	114 [liter]	(30.12 [US gal])
Unusable fuel.....	2x0.5 [liter]	(2x0.13 [US gal])
Total usable fuel .....	113 [liter]	(29.85 [US gal])

### Recommended fuel type:

*(Refer to the ROTAX Operator's manual section 10.2.2 Fuel,  
Rotax Service Instruction SI-912-016)*

### MOGAS

European standard	- min. RON 95, EN 228 Super, EN 228 Super plus
US standard	- ASTM D4814
Canadian standard	- min. AKI 91, CAN/CGSB-3.5 Quality 3

### **CAUTION**

*Fuels that contain more than 5% ethanol blend have not been tested and are not permitted for use.*

### AVGAS

US standard	- AVGAS 100 LL (ASTM D910)
-------------	----------------------------

AVGAS 100 LL places greater stress on the valve seats due to its high lead content and forms increased deposits in the combustion chamber and lead sediments in the oil system. Thus it should only be used in case of problems with vapor lock or when other types of gasoline are unavailable.

## 2.12 Engine operating speeds and limits

Engine Model:		ROTAX 912 ULS
Engine Manufacturer:		Bombardier-Rotax GMBH
Power	<b>Max. takeoff:</b>	73.5 kW (98.6 hp) at 5,800 rpm (max. 5 min.)
	<b>Max. continuous:</b>	69 kW (92.5 hp) at 5,500 rpm
	<b>Cruising (75%):</b>	51 kW (68.4 hp) at 5,000 rpm
Engine RPM	<b>Max. takeoff:</b>	5,800 rpm (max. 5 min.)
	<b>Max. continuous:</b>	5,500 rpm
	<b>Cruising (75%):</b>	5,000 rpm
	<b>Idling:</b>	1,400 rpm (minimum)
Oil pressure	<b>Minimum:</b>	0.8 bar (12 psi) below 3,500 rpm
	<b>Maximum:</b>	7 bar (102 psi) cold engine starting
	<b>Optimum:</b>	2 - 5 bar (29 - 73 psi) above 3,500 rpm
Oil temperature	<b>Minimum:</b>	50° C (122° F)
	<b>Maximum:</b>	130° C (266° F)
	<b>Optimum:</b>	90 - 110° C (194 - 230° F)
Cylinder head temper. (CHT)	<b>Minimum:</b>	50° C (122° F)
	<b>Maximum:</b>	135° C (275° F) *
Exhaust gas temperature (EGT)	<b>Nominal:</b>	800° C (1,472° F)
	<b>Maximum:</b>	850° C (1,562° F)
	<b>Max. takeoff:</b>	880° C (1,616° F)
Fuel press.	<b>Minimum:</b>	0.15 bar (2.2 psi)
	<b>Maximum:</b>	0.4 bar (5.8 psi)

\* See the Rotax Operator's manual section 10.1.2 Operating speeds and limits and section 10.2.1 Coolant, Rotax Installation manual section 12 Cooling system, Rotax Service Instruction SI-912-016, POH Section 8, paragraph 8.5.3 Coolant and Section 9, Supplement No. 02. Type of coolant used in engine.

## 2.13 Engine instruments markings

Rotax 912ULS 73.5 [kW] (98.6 [hp])	Minimum Limit (red line)	Caution Range (yellow arc)	Normal Operating Range (green arc)	Caution Range (yellow arc)	Maximum Range (red line)
Engine speed [RPM]	-	0-1,400	1,400-5,500	5,500-5,800	5,800
Oil Pressure	0.8 bar (12 psi)	0.8-2 bar (12-29 psi)	2-5 bar (29-73 psi)	5-7 bar (73-102 psi)	7 bar (102 psi)
Oil Temperature	50°C (122°F)	50-90°C (122-194°F)	90-110°C (194-230°F)	110-130°C (230-266°F)	130°C (266°F)
Cylinder head Temperature (CHT)	-	-	50-135°C (122-275°F)	-	135°C (275°F)
Fuel Pressure	0.15 bar (2.2 psi)	-	0.15-0.4 bar (2.2-5.8 psi)	-	0.4 bar (5.8 psi)
Manifold Pressure	-	-	10-29 inHg	-	29 inHg

## 2.14 Other limitations

- **No smoking on board of the aircraft!**
- **Approved for Day VFR flights only.**
- **Flight in rain**

When flying in the rain, no additional steps are required. Aircraft qualities and performance are not substantially changed. However **VMC must be maintained !**

- ***Minimum instruments and equipment list for Day VFR flights:***
  - Airspeed indicator
  - Altimeter
  - Compass (is not required by ASTM F 2245)
  - Fuel quantity indicator
  - Tachometer (RPM)
  - Engine instruments as required by the engine manufacturer :
    - *Oil temperature indicator*
    - *Oil pressure indicator*
    - *Cylinder head temperature indicator*
  - Safety harness for every used seat

**WARNING**

*IFR FLIGHTS AND INTENTIONAL FLIGHTS UNDER ICING CONDITIONS ARE PROHIBITED!*

**WARNING**

*EMERGENCY PARACHUTE APPROVED FOR UP TO MTOW 612 KG (1,350 LBS) AND MAX. VELOCITY 120 KNOTS (222 KM/H)!*

**WARNING**

*MINIMUM 6 LITRES (1.58 US GAL) OF FUEL QUANTITY ALLOWS APPROXIMATELY 15 MINUTES OF SAFE OPERATION!*

**CAUTION**

*Install air intake shields in front of water and oil cooler, if ambient air temperature is 0°C (32°F) or lower.*

## ***2.15 Limitation placards and markings***

### ***Operating limitation on instrument panel***

<b>AIRSPPEEDS:</b>	
<b>V<sub>NE</sub></b>	<b>138 kts</b>
<b>V<sub>A</sub></b>	<b>88 kts</b>
<b>V<sub>FE</sub></b>	<b>75 kts</b>
<b>V<sub>SO</sub></b>	<b>32 kts</b>

**WARNING !**  
DO NOT EXCEED MAXIMUM  
TAKEOFF WEIGHT: 600kg/1320lbs

**WARNING !**  
IFR FLIGHTS AND INTENTIONAL FLIGHTS  
UNDER ICING CONDITIONS ARE PROHIBITED

### ***Operating limitation in baggage space***

**MAX. BAGGAGE WEIGHT: 18kg/40lbs**

**MAX. WEIGHT IN WING LOCKER: 20kg/44lbs**

### ***Passenger warning***

**THIS AIRCRAFT WAS MANUFACTURED IN ACCORDANCE WITH LIGHT SPORT AIRCRAFT AIRWORTHINESS STANDARDS AND DOES NOT CONFORM TO STANDARD CATEGORY AIRWORTHINESS REQUIREMENTS.**

*Prohibited maneuvers*

**NO INTENTIONAL SPINS !  
AEROBATICS PROHIBITED !**

*2.16 Miscellaneous placards and markings*

**PILOT  
HEADSET**

**FUEL CAPACITY:  
57 Litres/15 US Gal.  
MOGAS RON 95/AKI 91  
AVGAS 100 LL**

**MUSIC IN  
COPILOT  
HEADSET**

**FUEL DRAIN ↘**

**AEROSHELL OIL  
SPORT PLUS 4**

**↑ C  
O L  
P O  
E S  
N E  
↓**

**↑ MAX  
POWER  
↓ IDLE**

**↑ OFF  
CHOKE  
↓ ON**

**FLAPS  
UP**

**FLAPS  
DOWN**



PEDAL SETTING ↘

✓ PEDAL SETTING

CANOPY OPENED

CANOPY CLOSED

BAGGAGE COMPARTMENT - A

BAGGAGE COMPARTMENT - B

**NO STEP**

**NO PUSH**

If BRS rescue system is installed:



- located on the both sides of fuselage  
between canopy and rear window

This aircraft is equipped with  
a ballistically-deployed  
emergency parachute system



- located in place rocket egress

Rocket Deployed Parachute Egress Area  
**STAY CLEAR**  
Emergency information at: [www.BRSparachutes.com](http://www.BRSparachutes.com)  
or call (651)457-7491 – after hours & weekends call (763) 226-6110

**CAUTION**

The owner (operator) of this airplane is responsible for the readability of placards during the aircraft service life.

# **SECTION 3**

## **TABLE OF CONTENTS**

### **3. EMERGENCY PROCEDURES**

<b>3.1</b>	<b>General information</b>	<b>3-2</b>
<b>3.2</b>	<b>Airspeeds for Emergency procedures</b>	<b>3-2</b>
<b>3.3</b>	<b>Engine failure during takeoff run</b>	<b>3-3</b>
<b>3.4</b>	<b>Engine failure after takeoff</b>	<b>3-3</b>
<b>3.5</b>	<b>Loss of engine power in flight</b>	<b>3-3</b>
<b>3.6</b>	<b>In-flight engine starting</b>	<b>3-4</b>
<b>3.7</b>	<b>Emergency landing without engine power</b>	<b>3-4</b>
<b>3.8</b>	<b>Precautionary landing with engine power</b>	<b>3-4</b>
<b>3.9</b>	<b>Engine fire during start</b>	<b>3-5</b>
<b>3.10</b>	<b>Engine fire in flight</b>	<b>3-5</b>
<b>3.11</b>	<b>Electrical fire in flight</b>	<b>3-6</b>
<b>3.12</b>	<b>Generator failure</b>	<b>3-6</b>
<b>3.13</b>	<b>Inadvertent spin recovery</b>	<b>3-7</b>
<b>3.14</b>	<b>Inadvertent icing encounter</b>	<b>3-7</b>
<b>3.15</b>	<b>Obstruction of air into engine filter</b>	<b>3-8</b>
<b>3.16</b>	<b>Vibration</b>	<b>3-8</b>
<b>3.17</b>	<b>Landing with a flat tire</b>	<b>3-8</b>
<b>3.18</b>	<b>Landing with a defective landing gear</b>	<b>3-8</b>
<b>3.19</b>	<b>Inadvertent canopy opening during takeoff</b>	<b>3-9</b>
<b>3.20</b>	<b>List of EMS alert alarms</b>	<b>3-10</b>

## 3. EMERGENCY PROCEDURES

### 3.1 General information

This section provides checklists and amplified procedures for coping with various emergencies that may occur. Emergencies caused by aircraft or engine malfunction are extremely rare if proper pre-flight inspections and maintenance are practiced.

However, should an emergency arise, the basic guidelines described in this section should be considered and applied as necessary to correct the problem.

#### **CAUTION**

*Airspeeds values are valid for standard AVIATIK WA037383 pitot-static probe.  
These emergency procedures are valid for WOODCOMP KLASSIC 170/3/R three composite blades ground adjustable propeller.*

### 3.2 Airspeeds for Emergency procedures

Engine failure after takeoff ..... 60 [knot] (110 [km/h])  
(flaps in T/O or retracted position)

Maneuvering speed at 600 [kg] (1,320 [lb]) ..... 88 [knot] (163 [km/h])  
Maneuvering speed at 408 [kg] (900 [lb]) ..... 70 [knot] (130 [km/h])  
(flaps retracted)

Gliding speed ..... 60 [knot] (110 [km/h])  
(flaps retracted)

Precautionary landing with engine power ..... 60 [knot] (110 [km/h])  
(flaps in any position)

Emergency landing without engine power ..... 60 [knot] (110 [km/h])  
(flaps in any position)

### **3.3 Engine failure during takeoff run**

1. Throttle - idle
2. Ignition switch - switch OFF
3. Brakes - apply

### **3.4 Engine failure after takeoff**

1. Push control stick forward
2. Speed - gliding at 60 [knot] (110 [km/h])
3. Altitude - below 150 [ft] (50[m]) : land in takeoff direction  
- over 150 [ft] (50[m]) : choose a landing area
4. Landing area - choose free area without obstacles
5. Wind - find direction and velocity
6. Flaps - extend as necessary
7. Trim - adjust
8. Safety harness - fasten
9. Fuel Selector - close
10. Ignition switch - switch OFF
11. Master switch - switch OFF before landing
12. Land

### **3.5 Loss of engine power in flight**

1. Push control stick forward
2. Speed - gliding at 60 [knot] (110 [km/h])
3. Altitude - in accordance with actual altitude search for a suitable place to safe land
4. Landing area - choose free area without obstacles
5. Wind - find direction and velocity
6. Emergency landing - perform according to 3.7



3. Perform low-altitude passage into wind over the right-hand side of the chosen area with flaps extended as needed and thoroughly inspect the landing area
4. Perform circle pattern
5. Perform approach at increased idling with flaps fully extended at *60 [knot] (110 [km/h])*
6. Reduce power to idle when flying over the runway threshold and touch-down at the very beginning of the chosen area
7. After stopping the airplane switch OFF all switches, shut OFF the fuel selector, lock the airplane and seek assistance

**NOTE**

*Watch the chosen area steadily during precautionary landing.*

### **3.9 Engine fire during start**

1. Fuel Selector - close
2. Throttle - full power
3. Ignition switch - switch OFF
4. Master - switch OFF
5. Leave the airplane
6. Extinguish fire by yourself or call for a fire-brigade if you cannot do it

### **3.10 Engine fire in flight**

1. Heating - close
2. Fuel Selector - close
3. Throttle - full power
4. Ignition switch - switch OFF after the fuel in carburetors is consumed and engine shut down
5. Master switch - switch OFF
6. Emergency landing - perform according to 3.7 as soon as possible
7. Leave the airplane
8. Extinguish fire by yourself or call for a fire-brigade if you cannot do it

**NOTE**

*Estimated time to pump fuel out of carburetors is about 30 [sec].*

**WARNING**

*Do not attempt to re-start the engine!*

### 3.11 Electrical fire in flight

1. Master switch - switch OFF
2. Other switches - switch OFF
3. Heating - close
4. Ventilation - open
5. Use the fire extinguisher (*if installed*)
6. Emergency landing - perform according to 3.7 as soon as possible

### 3.12 Generator failure

- GEN "OFF" highlighted red and blinking, bringing up the alarm bar at the bottom of the EMS screen with message, triggering the external EMS warning light and audio alert
  - Voltmeter (on EMS screen) indicates voltage under 12.5 V.
  - Ammeter (on EMS screen) permanently indicates negative current independently on engine RPM.
1. Engine RPM - increase above 3000 RPM  
*If the above generator failure indication persists:*
  2. Switch OFF - all unnecessary electrical equipment
  3. Switch ON - Master, Instruments and Avionics
  4. Voltmeter - monitor voltage
  5. Land as soon as possible at nearest suitable airport

**CAUTION**

*Use transceiver, transponder and GPS as necessary, short time only.  
Operating time of battery in good condition is up to 15 minutes.  
The engine runs independently on generator functioning.*



### 3.13 Inadvertent spin recovery

There is no uncontrollable tendency of the airplane to enter into a spin provided the normal piloting techniques are used.

#### Inadvertent spin recovery technique:

1. Throttle - idle
2. Lateral control - ailerons neutralized
3. Rudder pedals - full opposite rudder
4. Rudder pedals - neutralize rudder immediately when rotation stops
5. Longitudinal control - neutralizes or push forward and recovery dive

**WARNING**

**INTENTIONAL SPINS ARE PROHIBITED!**

### 3.14 Inadvertent icing encounter

**CAUTION**

*Aircraft is approved to operate in VMC condition only!*

1. Leave icing area turn back or change altitude to reach area with higher outside air temperature
2. Carburetor heating open
3. Cabin heating open
4. Increase RPM to minimize ice build-up on propeller blades
5. Continue to move control surfaces to maintain their moveability
6. In case of icing on the leading edge of wing, the stall speed will increase
7. In case of icing on the pitot probe, erroneous indicating of the airspeed and altimeter
8. If you fail to recover the engine power or normal flight conditions, land on the nearest airfield (*if possible*) or depending on the circumstances, perform a precautionary landing according to 3.8 or emergency landing according to 3.7

**NOTE**

*The carburetor icing and air filter icing shows itself through a decrease in engine power and an increase of engine temperatures.*

**NOTE**

*Use carburetor heating during lengthy descents and in areas of possible carburetor icing.*

### **3.15 Obstruction of air into engine filter**

If the engine runs rough and power decrease, air filter can be clogged with some impurities e.g. dust or ice.

Perform:

1. Carburetor heating - open
2. Check engine running and monitor engine instruments.
3. Land as soon as possible at nearest suitable airport.

If you fail to recover the engine power, land on the nearest airfield (*if possible*) or depending on the circumstances, perform a precautionary landing according to 3.8.

### **3.16 Engine vibration**

If any forced aircraft vibrations appear, it is necessary:

1. To set engine speed to such power rating where the vibrations are lowest
2. To land on the nearest airfield or to perform a precautionary landing according to 3.8

### **3.17 Landing with a flat tire**

1. During landing keep the damaged wheel above ground as long as possible using the ailerons control
2. Maintain the direction on the landing roll out, applying rudder control

### **3.18 Landing with a defective landing gear**

1. If the main landing gear is damaged, perform touch-down at the lowest practicable speed and if possible, maintain direction during landing run
2. If the nose wheel is damaged perform touch-down at the lowest practicable speed and hold the nose wheel above the ground by means of the elevator control as long as possible

### **3.19 Inadvertent canopy opening during takeoff**

- During takeoff – aircraft rotation occurs, the canopy opens approximately 50 mm (2 in).
- During climb and descent with airspeed at 60-75 knots (110-139 km/h), the canopy stays opened 50-80 mm (2-3.2 in).
- During horizontal flight with airspeed at 60-80 knots (110-148 km/h), the canopy stays opened 50-80 mm (2-3.2 in).
- In all above-mentioned cases – there are no flight problems, no vibrations, good aircraft control, and no change of flight characteristics.
- **It is not possible to close the canopy.**

#### ***Recommended procedure if the canopy opens during takeoff:***

1. **DO NOT TRY TO CLOSE THE CANOPY!**
2. Continue the takeoff
3. Climb to the safe altitude
  - maintain airspeed at 65 knot (120 km/h)
4. Continue to fly the normal traffic pattern (circuit)
  - max. airspeed 75 knot (139 km/h)
5. Land
  - after stopping, close and lock the canopy

***Recommendation:*** - ***Before takeoff, manually check the canopy is locked by pushing on the canopy upwards.***

#### **CAUTION**

***During the flight, approach and landing - do not perform any slipping.***

### **3.20 List of EMS alert alarms**

<b>HIGH RPM ALARM</b>
<b>HIGH MANIFOLD PRESSURE ALARM</b>
<b>HIGH OIL PRESSURE ALARM</b>
<b>LOW OIL PRESSURE ALARM</b>
<b>HIGH OIL TEMPERATURE ALARM</b>
<b>LOW OIL TEMPERATURE ALARM</b>
<b>HIGH EGT 1 / 2 ALARM</b>
<b>LOW EGT 1 / 2 ALARM</b>
<b>HIGH CHT 1 / 2 ALARM</b>
<b>LOW CHT 1 / 2 ALARM</b>
<b>LOW L / R FUEL TANK ALARM</b>
<b>HIGH FUEL PRESSURE ALARM</b>
<b>LOW FUEL PRESSURE ALARM</b>
<b>HIGH VOLTAGE ALARM</b>
<b>LOW VOLTAGE ALARM</b>
<b>HIGH CURRENT ALARM</b>
<b>LOW CURRENT ALARM</b>

# **SECTION 4**

## **TABLE OF CONTENTS**

### **4. NORMAL PROCEDURES**

<b>4.1 Preflight check</b>	<b>4-2</b>
<b>4.2 Engine starting</b>	<b>4-4</b>
<b>4.3 Taxiing</b>	<b>4-6</b>
<b>4.4 Normal takeoff</b>	<b>4-6</b>
<b>4.5 Climb</b>	<b>4-7</b>
<b>4.6 Best angle of climb speed (<math>V_x</math>)</b>	<b>4-7</b>
<b>4.7 Best rate of climb speed (<math>V_y</math>)</b>	<b>4-7</b>
<b>4.8 Cruise</b>	<b>4-7</b>
<b>4.9 Descend</b>	<b>4-7</b>
<b>4.10 Approach</b>	<b>4-8</b>
<b>4.11 Normal landing</b>	<b>4-8</b>
<b>4.12 Short field takeoff and landing procedures</b>	<b>4-9</b>
<b>4.13 Balked landing procedures</b>	<b>4-9</b>
<b>4.14 Airplane parking and tie-down</b>	<b>4-10</b>

## 4. NORMAL PROCEDURES

This section provides checklists and recommended procedures for normal operation of the aircraft.

### CAUTION

Airspeeds values are valid for standard **AVIATIK WA037383 pitot-static probe**.

These normal procedures are valid for standard **WOODCOMP KLASSIC 170/3/R** three composite blades ground adjustable propeller.

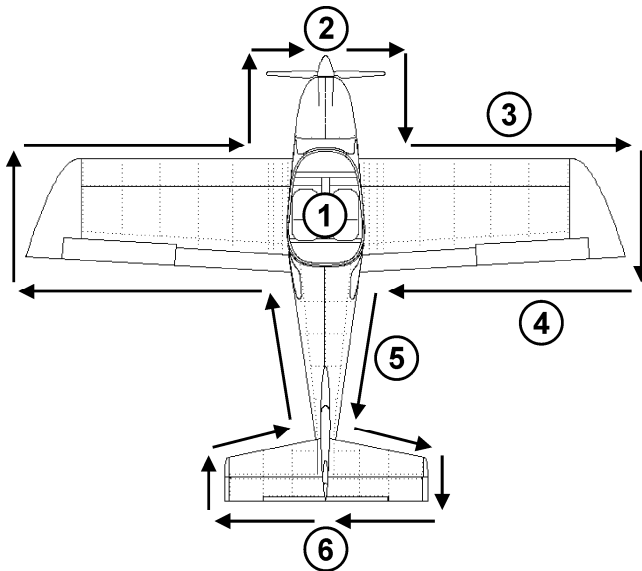
### 4.1 Preflight check

Carry out the pre-flight inspection every day prior to the first flight or after airplane assembly. Incomplete or careless inspection can cause an accident. Carry out the inspection following the instructions in the Inspection Check List.

### NOTE

The word "condition" in the instructions means a visual inspection of surface for damage deformations, scratching, chafing, corrosion or other damages, which may lead to flight safety degradation.

The manufacturer recommends carrying out the pre-flight inspection as follows:



## Inspection Check List

①	<ul style="list-style-type: none"> <li>- Ignition - OFF</li> <li>- Master switch - ON</li> <li>- Instruments switch - ON, check fuel quantity on indicators</li> <li>- Avionics - check condition</li> <li>- Control system - visual inspection, function, clearance, free movement up to stops</li> <li>- check wing flaps operation</li> <li>- check trims operation</li> <li>- Master and Instr. switches - OFF</li> <li>- Canopy - condition of attachment, cleanness</li> <li>- Check cockpit for loose objects</li> </ul>
②	<ul style="list-style-type: none"> <li>- Engine cowling condition</li> <li>- Propeller and spinner condition</li> <li>- Engine mount and exhaust manifold condition</li> <li>- Oil quantity check                             <ul style="list-style-type: none"> <li>- before this check, ensure Ignition OFF, then turn the propeller by hand in direction of engine rotation several times to pump oil from the engine into the oil tank (see the Rotax Operator's manual section 10.3.3)</li> </ul> </li> <li>- Coolant quantity check</li> <li>- Visual inspection of the fuel and electrical system</li> <li>- Fuel system draining</li> <li>- Other actions according to the engine manual</li> </ul>
③	<ul style="list-style-type: none"> <li>- Wing surface condition</li> <li>- Leading edge condition</li> <li>- Pitot head condition</li> </ul>
④	<ul style="list-style-type: none"> <li>- Wing tip - surface condition, attachment</li> <li>- Aileron - surface condition, attachment, clearance, free movement</li> <li>- Wing flap - surface condition, attachment, clearance</li> </ul>
⑤	<ul style="list-style-type: none"> <li>- Landing gear - wheel attachment, brakes, condition and pressure of tires</li> <li>- Wing lower surface and fuselage bottom condition</li> </ul>
⑥	<ul style="list-style-type: none"> <li>- Vertical tail unit - condition of surface, attachment, free movement, rudder stops</li> <li>- Horizontal tail unit - condition of surface, attachment, free movement, elevator stops</li> </ul>
	<ul style="list-style-type: none"> <li>- Check that left side the fuselage and wing is the same as right side.</li> </ul>

**WARNING**

*Physically check the fuel level before each takeoff to make sure you have sufficient fuel for the planned flight.*

**WARNING**

*In case of long-term parking it is recommended to turn the engine several times (Ignition OFF!) by turning the propeller. Always handle by palm the blade area i.e. do not grasp only the blade edge. It will facilitate engine starting.*

## 4.2 Engine starting

### 4.2.1 Before engine starting

1. Control system - free & correct movement
2. Canopy - clean, closed and locked
3. Safety harness - fasten
4. Brakes - fully applied

### 4.2.2 Engine starting

*NOTE: Start the engine according to procedure in Rotax Operator's manual.*

1. Throttle - idle
2. Choke - cold engine - ON (fully pulled and hold)  
- warm engine - OFF
3. Fuel selector - turn on (left or right fuel tank in accordance with fuel tanks filling)
4. Master switch - switch ON
5. Fuel pump - switch ON
6. Propeller area - clear
7. Ignition switch - hold activated to start the engine
8. After engine starting - Instrument - switch ON  
- Fuel pump - switch OFF  
- Avionics - switch ON  
- other switches - switch ON as necessary
9. Choke - gradually release during engine warming up
10. Throttle - maintain max. 2,500 [rpm] for warming up

















## 5. PERFORMANCE

The presented data has been computed from actual flight tests with the aircraft and engine in good conditions and using average piloting techniques. If not stated otherwise, the performance stated in this section is valid for maximum takeoff weight (600 [kg] / 1,320 [lb]) and under ISA conditions.

The performance shown in this section is valid for aircraft equipped with **ROTAX 912 ULS** engine with maximum power 73.5 [kW] (98.6 [hp]) and **WOODCOMP KLASSIC 170/3/R** three composite blades ground adjustable propeller with pitch setting 17.5°.

### **CAUTION**

*Airspeeds values are valid for standard AVIATIK WA037383 pitot-static probe.*



## 5.1 Takeoff distances

- Conditions: - Altitude: 0 ft ISA  
 - Engine power: full throttle  
 - Flaps: 15°

RUNWAY SURFACE	Takeoff run distance		Takeoff distance over 50 ft (15 m) obstacle	
	ft	m	ft	m
CONCRETE	463	141	1,270	387
GRASS	702	214	1,499	457

## 5.2 Landing distances

- Conditions: - Altitude: 0 ft ISA  
 - Engine power: idle  
 - Flaps: 30°  
 - Brakes fully depressed immediately after touch-down

RUNWAY SURFACE	Landing distance over 50 ft (15 m) obstacle		Landing run distance (braked)	
	ft	m	ft	m
CONCRETE	1,188	362	479	146
GRASS	1,109	338	364	111

## 5.3 Rate of climb

Conditions: Engine: full throttle Flaps: 0°	Best rate of climb speed Vy (IAS)		Rate of climb Vz	
	knot	km/h	fpm	m/s
Altitude				
0 ft	62	115	825	4.2
3000 ft	62	115	685	3.5
6000 ft	62	115	540	2.7
9000 ft	62	115	355	1.8













## 5.6 Airspeed indicator system calibration

IAS	CAS
<i>knot</i>	
30	35
35	39
40	44
45	48
50	53
55	57
60	62
65	66
70	71
75	75
80	79
85	84
90	88
95	93
100	97
105	102
110	106
115	111
120	115
125	120
130	124
135	129
140	133

IAS	CAS
<i>km/h</i>	
55	64
60	68
70	77
80	86
90	95
100	104
110	113
120	122
130	131
140	140
150	149
160	158
170	167
180	176
190	185
200	194
210	203
220	212
230	221
240	230
250	239
255	243



### 5.7 Demonstrated wind performance

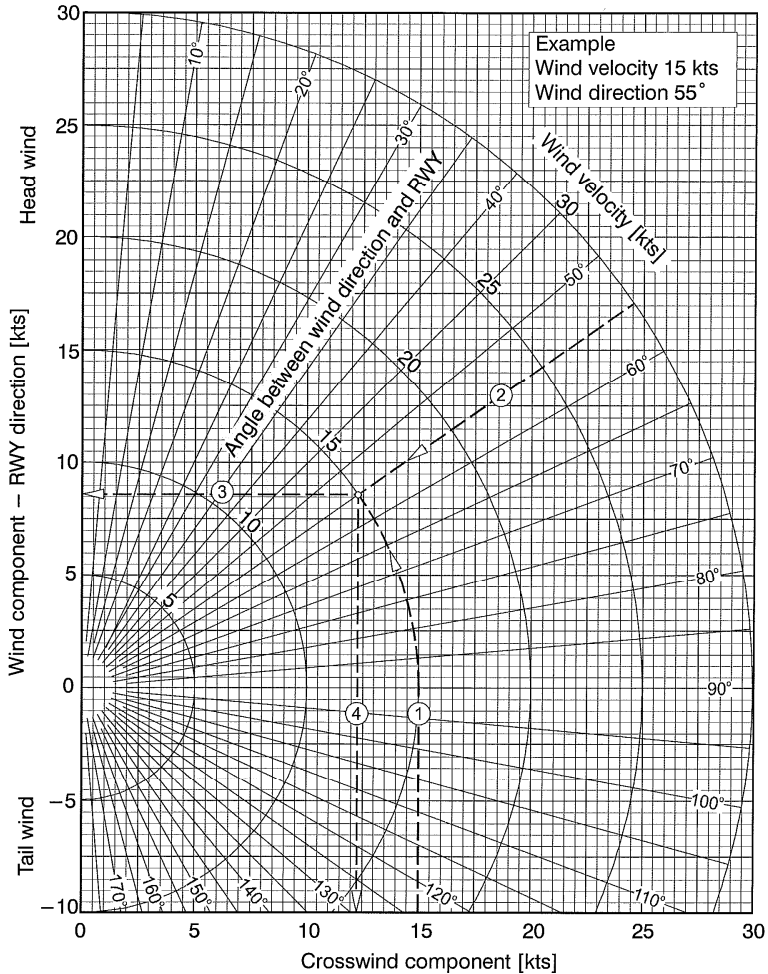
Max. demonstrated headwind velocity for take-off and landing:

24 [knot] (13 [m/s])

Max. demonstrated crosswind velocity for take-off and landing:

12 [knot] (6,5 [m/s])

#### Wind components figure



**Example:** 1. Wind velocity ..... 15 knots      3. Headwind component ..... 8.6 knots  
 2. Wind direction ..... 55°                      4. Crosswind component ..... 12.3 knots

*Intentionally left blank*

# **SECTION 6**

## **TABLE OF CONTENTS**

### **6. WEIGHT AND BALANCE**

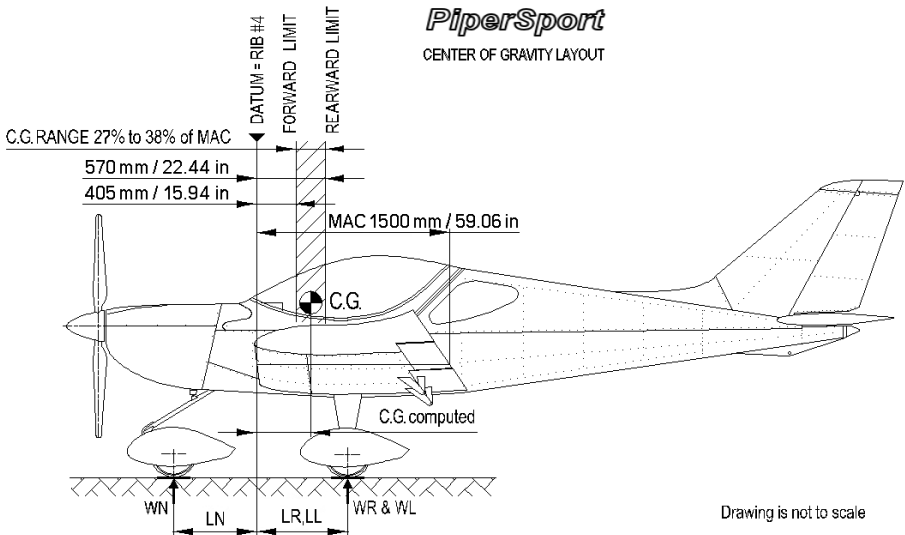
<b>6.1</b>	<b>Introduction</b>	<b>6-2</b>
<b>6.2</b>	<b>Airplane weighing procedure</b>	<b>6-2</b>
<b>6.3</b>	<b>Weight and balance C.G. layout</b>	<b>6-3</b>
<b>6.4</b>	<b>Operating weights and loading</b>	<b>6-4</b>
<b>6.5</b>	<b>C.G. range and determination</b>	<b>6-4</b>
<b>6.6</b>	<b>Permitted payload range table</b>	<b>6-6</b>
<b>6.7</b>	<b>Installed equipment list</b>	<b>6-8</b>



**4. Measuring**

- Obtain measurement LR and LL by measuring horizontally (along the airplane center line) from a line stretched between the Rib No. 4.
  - Obtain measurement LN by measuring horizontally and parallel to the airplane center line, from center of nose wheel axle left sides, to a plumb bob dropped from the Rib No. 4. Repeat on right side and average the measurements.
5. Using weights from item 3. and measurements from item 4. the airplane weight and C.G. can be determined.
6. Basic Empty Weight may be determined by completing appropriate table.

**6.3 Weight and balance C.G. layout**













## **6.7 Installed equipment list**

**NOTE**

*Actual Installed equipment list is shown in Section 9, Supplement No. 02.*



## 7. DESCRIPTION OF AIRPLANE AND SYSTEMS

### 7.1 *General*

This section provides description and operation of the aircraft and its systems.

*PiperSport* aircraft is a single-engine, all metal, low-wing monoplane of semi-monocoque structure with two side-by-side seats. The airplane is equipped with a fixed tricycle undercarriage with castoring nose wheel.

Some parts of airplane are made from fiberglass laminate.

### 7.2 *Airframe*

All-metal construction, stressed skin, single curvature metal skins riveted to stiffeners. Construction is of 6061-T6 aluminum sheet metal riveted to aluminum angles with Avex rivets. This high strength aluminum alloy construction provides long life and low maintenance costs thanks to its durability and corrosion resistance characteristics.

The wing has a high lift airfoil equipped with flaps.

### 7.3 *Flight controls*

The plane is equipped with a dual stick control, the adjustable rudder pedals with pedal hydraulic brakes for easy ground control of the castoring nose wheel.

Lateral and longitudinal control movement is transferred by mechanical system of pull rods and levers.

Rudder control is controlled by pedals of foot control. The rudder is interconnected with foot control pedals by cable system.

The elevator and aileron trims are electrically actuated by buttons on the control stick.

Wing flaps are electrically actuated by the rocker switch located on the middle panel.





## 7.7 Landing gear

Aircraft is equipped with tricycle landing gear.

Main landing gear uses two fiberglass spring elements. Each main gear wheel is equipped with an independent, hydraulically operated, disc type brakes. Nose wheel is free casting. Steering is accomplished by differential application of individual main gear brakes.

## 7.8 Baggage compartment

The rear baggage compartment is located behind seats. It may accommodate up to 18 [kg] (40 [lb]). This space is divided to two sections:

- **A** baggage compartment – lowered part of the baggage compartment, close to seats and
- **B** baggage compartment – raised part of the baggage compartment, further from seats.

Baggage compartment is fitted with four tie-down straps for baggage fixation.

Load heavy items in compartment A. and lighter items in compartment B.

Baggage may also be loaded into the baggage compartment inside each wing up to 20 [kg] (44 [lb]), in each wing locker.

Make sure that baggage does not exceed maximum allowable weight, and that the aircraft C.G. is within limits with loaded baggage.

**NOTE**

*The baggage compartment in wing lockers are not waterproof.*

**CAUTION**

All baggage must be properly secured.

## 7.9 Seats and safety harnesses

Side-by-side seating. Seat cushions are removable for easy cleaning and drying. Four point safety belts provided to each seat. Additional seat upholstery to raise the small pilot or move him forward is optional.

**NOTE**

*Prior to each flight, ensure that the seat belts are firmly secured to the airframe and that the belts are not damaged. Adjust the buckle to a central position on the body.*





## **7.12 Electrical system**

### **Battery**

The 12 [V] battery is mounted on the front side of forward bulkhead.

### **Master switch**

Master switch connects the electrical system to the 12 [V] battery.

## **7.13 Pitot-static system**

Standard **AVIATIK WA037383 pitot-static probe** is located below the left wing. Pressure distribution to the instruments is through flexible plastic hoses. Keep the pitot head clean to ensure proper function of the system.

**SECTION 7  
DESCRIPTION OF  
AIRPLANE AND SYSTEMS**

**PS-POH-1-1-07**



*Intentionally left blank*

# **SECTION 8**

## **TABLE OF CONTENTS**

### **8. HANDLING AND SERVICING**

<b>8.1</b>	<b>Introduction</b>	<b>8-2</b>
<b>8.2</b>	<b>Ground handling</b>	<b>8-2</b>
<b>8.3</b>	<b>Towing instructions</b>	<b>8-3</b>
<b>8.4</b>	<b>Tie-down instructions</b>	<b>8-3</b>
<b>8.5</b>	<b>Servicing operating fluids</b>	<b>8-3</b>
<b>8.6</b>	<b>Cleaning and care</b>	<b>8-5</b>
<b>8.7</b>	<b>Assembly and disassembly</b>	<b>8-6</b>
<b>8.8</b>	<b>Aircraft inspection periods</b>	<b>8-6</b>
<b>8.9</b>	<b>Aircraft alterations or repairs</b>	<b>8-6</b>

## 8. HANDLING AND SERVICING

### 8.1 Introduction

This section contains factory-recommended procedures for proper ground handling and servicing of the airplane. It also identifies certain inspection and maintenance requirements, which must be followed if the airplane is to retain that new-plane performance and dependability.

### 8.2 Ground handling

#### 8.2.1 Parking

It is advisable to park the airplane inside a hangar or alternatively inside any other suitable space (*garage*) with stable temperature, good ventilation, low humidity and dust-free environment.

It is necessary to moor the airplane when it is parked outside a hangar. Also when parking for a long time, cover the cockpit canopy, possibly the whole airplane by means of a suitable tarpaulin.

#### 8.2.2 Jacking

Since the empty weight of this aircraft is relatively low, two people can lift the aircraft easily. First of all prepare two suitable supports to support the aircraft.

It is possible to lift the aircraft by handling the following parts:

- By pushing the fuselage rear section down in the place of a bulkhead the fuselage front section may be raised and then supported under the firewall.
- By holding the fuselage rear section under a bulkhead the fuselage rear may be raised and then supported under that bulkhead.
- To lift up a wing, push from underneath that wing **only** at the main spar area. Do not lift up a wing by handling the wing tip.

#### 8.2.3 Road transport

The aircraft may be transported after loading on a suitable car trailer. It is necessary to dismantle the wings before road transport. The aircraft and dismantled wings should be attached securely to protect these parts against possible damage.

### 8.3 Towing instructions

To handle the airplane on ground use the *Tow Bar*, or if pushing the airplane by hand, push on the aft fuselage, placing your hands over an area of skin supported by a bulkhead.

#### **CAUTION**

*Avoid excessive pressure at the airplane airframe-especially at control surfaces. Keep all safety precautions, especially in the propeller area.*

### 8.4 Tie-down instructions

The airplane should be moored when parked outside a hangar after the flight day. The mooring is necessary to protect the airplane against possible damage caused by wind and gusts.

For this reason the aircraft is equipped with mooring eyes located on the lower surfaces of the wings.

#### **Tie-down procedures:**

1. Fuel Selector close, Master switch and other switches switched OFF, Ignition switch switched OFF
2. Fix the hand control using e.g. safety harness
3. Close air vent
4. Close and lock canopy
5. Moor the aircraft to the ground by means of a mooring rope passed through the mooring eyes located on the lower surfaces of the wings and below rear fuselage.

#### **NOTE**

*In the case of long term parking, especially during winter, it is recommended to cover the cockpit canopy or possibly the whole aircraft by means of a suitable tarpaulin attached to the airframe.*

### 8.5 Servicing operating fluids

See appropriate chapters in the ROTAX engine Maintenance and Operator's manuals and *PiperSport* aircraft Maintenance manual for more instructions.

### 8.5.1 Approved fuel grades and specifications

#### Recommended fuel type:

*(refer to the ROTAX Operator's manual section 10.2.2 Fuel, Rotax Service Instruction SI-912-016)*

#### MOGAS

- European standard - min. RON 95, EN 228 Super, EN 228 Super plus
- US standard - ASTM D4814
- Canadian standard - min. AKI 91, CAN/CGSB-3.5 Quality 3

#### **CAUTION**

*Fuels that contain more than 5% ethanol blend have not been tested and are not permitted for use.*

#### AVGAS

- US standard - AVGAS 100 LL (ASTM D910)

AVGAS 100 LL places greater stress on the valve seats due to its high lead content and forms increased deposits in the combustion chamber and lead sediments in the oil system. Thus it should only be used in case of problems with vapor lock or when other types of gasoline are unavailable.

#### Fuel volume:

- Wing fuel tanks volume.....2x57 [liter] (2x15.06 [US gal])
- Unusable fuel quantity .....2x0.5 [liter] (2x0.13 [US gal])

### 8.5.2 Approved oil grades and specifications

#### Recommended oil type:

*(refer to the Rotax Operator's manual section 10.2.3 Lubricants, Rotax Service Instruction SI-912-016)*

Motorcycle 4-stroke engine oil of registered brand with gear additives.

Use only oil with API "SG" classification or higher!

Use multi-grade oil. Use of mineral oil is not recommended.

#### Type of oil used by aircrafts manufacturer:

- see Section 9, Supplement No. 02

#### Oil volume:

- Minimum .....3.3 [liter] (0.87 [US gal])
- Maximum .....3.8 [liter] (1.0 [US gal])

### 8.5.3 Approved coolant grades and specifications

#### Recommended coolant type:

*(refer to the Rotax Operator's manual section 10.1.2 Operating speeds and limits and section 10.2.1 Coolant, Rotax Installation manual section 12 Cooling system, Rotax Service Instruction SI-912-016)*

In principle, 2 different types of coolant are permitted:

- Conventional coolant based on ethylene glycol
- Waterless coolant based on propylene glycol

#### WARNING

*The coolant concentrate (propylene glycol) may not be mixed with conventional (glycol/water) coolant or with additives!*

*Non observance can lead to damages to the cooling system and engine.*

#### Type of coolant used by aircrafts manufacturer:

- see Section 9, Supplement No. 02

#### Coolant liquid volume:

It is approximately.....2.5 [liter] (0.66 [US gal])

### 8.6 Cleaning and care

Use efficient cleaning detergents to clean the aircraft surface. Oil spots on the aircraft surface (*except the canopy!*) may be cleaned with petrol.

The canopy may only be cleaned by washing it with a sufficient quantity of lukewarm water and an adequate quantity of detergents. Use either a soft, clean cloth sponge or deerskin. Then use suitable polishers to clean the canopy.

#### CAUTION

*Never clean the canopy under "dry" conditions and **never** use petrol or chemical solvents!*

Upholstery and covers may be removed from the cockpit, brushed and eventually washed in lukewarm water with an adequate quantity of detergents. Dry the upholstery thoroughly before insertion into the cockpit.

**CAUTION**

*In the case of long term parking, cover the canopy to protect the cockpit interior from direct sunshine.*

## **8.7 Assembly and disassembly**

Refer to the *PiperSport* aircraft Maintenance manual and the *PiperSport* aircraft Assembly photo manual.

## **8.8 Aircraft inspection periods**

Periods of overall checks and contingent maintenance depends on the condition of the operation and on overall condition of the airplane.

Inspections and revisions should be carried out in the following periods, at least:

- after the first      25 flight hours
- after                      50 flight hours
- after every            100 flight hours or at least annual inspection

Refer to the *PiperSport aircraft Maintenance manual* for aircraft maintenance.

Refer to the *Rotax engine Maintenance manual* for engine maintenance.

Maintain the propeller according to its manual.

All repairs and maintenance should be made in accordance with AC 43.13-1B.

## **8.9 Aircraft alterations or repairs**

It is recommended to contact the airplane manufacturer prior to any alternations to the aircraft to ensure that the airworthiness of the aircraft is not violated. Always use only the original spare parts produced by the airplane (engine, propeller) manufacturer.

If the aircraft weight is affected by any alternation, a new weighing is necessary, then record the new empty weight into the Weight and Balance record / Permitted payload range and up-date the placard showing weights in the cockpit.



# **SECTION 9**

## **TABLE OF CONTENTS**

### **9. SUPPLEMENTS**

<b>9.1 List of inserted supplements</b>	<b>9-2</b>
<b>9.2 Inserted supplements</b>	<b>9-2</b>

## 9. SUPPLEMENTS

This section contains the appropriate supplements necessary to safely and efficiently operate the aircraft when equipped with various optional systems and equipment not provided with the standard airplane.

### 9.1 *List of inserted supplements*

Date	Suppl. No.	Title of inserted supplement	Revision No.
10/03/31	01	Aircraft Flight Training Supplement	-
11/02/09	02	Aircraft specification S/N: P1001085	-

### 9.2 *Inserted Supplements*

## **Supplement No. 01**

# **Aircraft Flight Training Supplement**

### ***Introduction***

The *PiperSport* flying characteristics and behavior are similar to other single engine aircraft.

Following training procedure is applicable if the pilot is holder of PPL or LSA Pilot License.

The training flight hours are recommended minimum and depends on the Flight Instructor if student pilot is ready to continue on in next training step.

Training can be performed by Flight Instructor or by the experienced pilot who has minimum 20 hours on the *PiperSport*.

### ***Type Rating Training Procedure:***

### **Ground Training**

*Before practical Flight Training the pilot has to get familiar with following procedures and documentation:*

- *Pilot's Operating Handbook (POH)*
- *Aircraft Maintenance manual*
- *Aircraft preflight inspection procedure*
- *Control Checklists*
- *Radio, avionics, aircraft and engine controls procedures*
- *Differences in control and aircraft handling*
- *Emergency procedures*

**Flight training program (recommended):**

<b>Flight Training Procedure</b>		<b>Dual</b>		<b>Solo</b>	
		<b>Flights</b>	<b>Time</b>	<b>Flights</b>	<b>Time</b>
<b>1.</b>	<i>Check flight</i>	1	30'	-	-
<b>2.</b>	<i>Pattern training flights up to 1,000 ft AGL</i>	4	20'	3	15'
<b>3.</b>	<i>Pattern training flights up to 500 ft AGL</i>	4	20'	3	15'
<b>4.</b>	<i>Stall speed, 45°turns, side slips</i>	1	30'	1	45'
<b>5.</b>	<i>Emergency landing training</i>	4	20'	3	15'
<b>Total:</b>		<b>14</b>	<b>2 hr</b>	<b>10</b>	<b>1,5 hr</b>

**Flight Training Procedure - description:**

**1. Check flight**

*Student Pilot will fly the airplane in local flight, instructor giving advice as necessary.*

**2. Pattern training flights up to 1,000 feet AGL**

*High pattern procedures, instructor giving advice as necessary.*

**3. Pattern training flights up to 500 feet AGL**

*High pattern procedures, instructor giving advice as necessary.*

**4. Stall speed, 45°turns, sideslips**

*Stall speed flaps retracted and extended (landing configuration), sideslips at landing configuration.*

**5. Emergency landing training**

*Emergency procedures and landing to 1/3 of runway.*

**Note:**

During solo flights instructor is observing the student pilot on pattern and can advise by radio as necessary.

**Endorsement:**

Instructor will endorse the Type Rating to the Pilots Logbook, if required.

***Supplement No. 02***  
***AIRCRAFT SPECIFICATION***

In this Supplement No. 02 – the Weight & Balance & Equipment is shown for real S/N of the aircraft.

Aircraft Registration number :

Aircraft Serial Number : **P1001085**

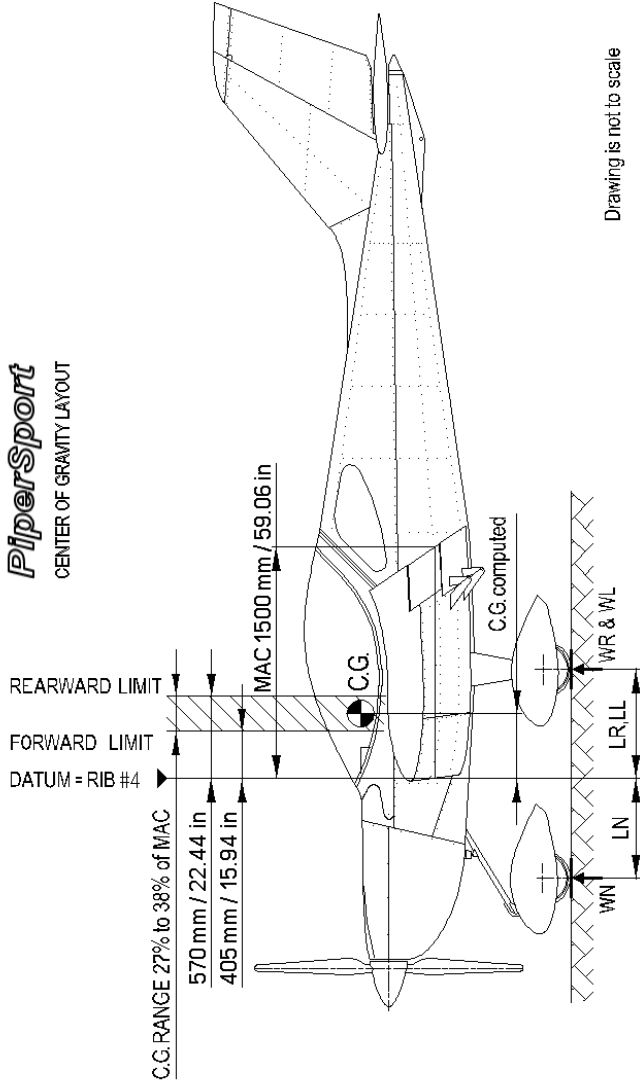
This Supplement must be attached to the POH during airplane operation.

Information in this Supplement completes or replaces information in the basic POH for the below mentioned parts only. Limitations, procedures and information not mentioned in this Supplement and included in the basic POH stay valid.

This Supplement completes information necessary for the airplane operation with equipment installed on the airplane.

## 6. WEIGHT AND BALANCE

### 6.3 Weight and balance C.G. layout



## 6.5 C.G. range and determination

### Aircraft C.G. determination

**WEIGHT & BALANCE RECORD**  
*Empty Weight C.G. Check*  
of PiperSport aircraft S/N : P1001085

AIRCRAFT EMPTY C.G.	ITEM	WEIGHT [kg]	ARM [mm]	MOMENT (WEIGHT x ARM)
	RIGHT MAIN WHEEL	$W_R = 143.6$	$L_R = 805$	115,598.0
	LEFT MAIN WHEEL	$W_L = 142.6$	$L_L = 800$	114,080.0
	NOSE WHEEL	$W_N = 86.8$	$L_N = -709$ negative arm	- 61,541.2
	COMPUTED C.G. EMPTY	Empty weight: $W_E = 373.0$ [kg]	C.G. = 450.8 [mm] 30.1 [%] MAC	Aircraft moment: $M_E = 168,136.8$

NOTE: EMPTY WEIGHT INCLUDING OIL, COOLANT AND HYDRAULIC FLUID.

Empty weight C.G. range : 420 to 480 [mm] / 28 to 32 [%] of MAC

Max. takeoff weight : 600 [kg]

#### Maximum useful weight:

$$W_{Max. Useful} = W_{Max. Takeoff} - W_E$$

$$W_{Max. Useful} = 600 \text{ [kg]} - 373.0 \text{ [kg]} = \underline{227.0 \text{ [kg]}}$$

**This useful weight must be never exceeded!**

NOTE: MAXIMUM USEFUL WEIGHT INCLUDING PILOT, PASSENGER, BAGGAGE AND FUEL.

$$\text{Aircraft C.G.} = \frac{M_E}{W_E} \text{ [mm]} \times \frac{100}{MAC} \text{ [%]}$$

2011-02-09

**WEIGHT & BALANCE RECORD  
Forward C.G. Check  
of PiperSport aircraft S/N : P1001085**

<b>FORWARD C.G.</b>	<b>WEIGHT [kg]</b>	<b>ARM [mm]</b>	<b>MOMENT (WEIGHTxARM)</b>
<b>EMPTY AIRCRAFT</b>	373.0	-----	168,136.8
<b>PILOT</b>	43.0	700	30,100.0
<b>PASSENGER</b>	0.0	700	0.0
<b>BAGGAGE COMPARTMENT - A</b>	0.0	1,310	0.0
<b>BAGGAGE COMPARTMENT - B</b>	0.0	1,800	0.0
<b>WING LOCKERS</b>	0.0	600	0.0
<b>FUEL TANKS</b>	82.1	180	14,778.0
<b>TOTAL</b>	<b><math>W_T = 498.1</math> [kg]</b>		<b><math>M_T = 213,014.8</math></b>
<b>TAKEOFF WEIGHT</b>	<b>498.1 [kg]</b>		<b>C.G. = 427.7 [mm] 28.5 [%] MAC</b>

NOTE:

MAXIMUM FUEL QUANTITY IN WING TANKS (82.1KG=114L) IS USED FOR MOST FORWARD C.G. CALCULATION.

**Max. takeoff weight : 600 [kg]**

**Max. weight in baggage compartment A+B : 18 [kg]**

**Max. weight in wing lockers together : 40 [kg]**

**Operating C.G. range : 405 to 570 [mm] / 27 to 38 [%] of MAC**

$$\text{Aircraft C.G.} = \frac{M_T}{W_T} \text{ [mm]} \times \frac{100}{\text{MAC}} \text{ [%]}$$

2011-02-09



**WEIGHT & BALANCE RECORD**  
**Rearward C.G. Check**  
**of PiperSport aircraft S/N : P1001085**

<b>REARWARD C.G.</b>	<b>WEIGHT</b> [kg]	<b>ARM</b> [mm]	<b>MOMENT</b> (WEIGHTxARM)
<b>EMPTY AIRCRAFT</b>	373.0	-----	168,136.8
<b>PILOT</b>	86.4	700	60,480.0
<b>PASSENGER</b>	86.4	700	60,480.0
<b>BAGGAGE COMPARTMENT - A</b>	15.0	1,310	19,650.0
<b>BAGGAGE COMPARTMENT - B</b>	3.0	1,800	5,400.0
<b>WING LOCKERS</b>	26.1	600	15,660.0
<b>FUEL TANKS</b>	0.0	180	0.0
<b>TOTAL</b>	<b><math>W_T = 589.9</math> [kg]</b>		<b><math>M_T = 329,806.8</math></b>
<b>TAKEOFF WEIGHT</b>	<b>589.9 [kg]</b>		<b>C.G. = 559.1 [mm]</b> <b>37.3[%] MAC</b>

NOTE:

MINIMUM FUEL QUANTITY IN WING TANKS FOR 30 MINUTES FLIGHT (10.1KG=14L) IS SUBTRACTED FROM MTOW (600KG). MOST REARWARD C.G. CALCULATION IS DONE WITH ZERO FUEL QUANTITY (AFTER FUEL DEPLETION).

**Max. takeoff weight :** 600 [kg]

**Max. weight in baggage compartment A+B :** 18 [kg]

**Max. weight in wing lockers together :** 40 [kg]

**Operating C.G. range :** 405 to 570 [mm] / 27 to 38 [%] of MAC

$$\text{Aircraft C.G.} = \frac{M_T}{W_T} \text{ [mm]} \times \frac{100}{\text{MAC}} \text{ [%]}$$

<b>Serial No.:</b>	P1001085
<b>Date:</b>	2011-02-09
<b>By:</b>	Pavel Lukeš

## 6.6 Permitted payload range table

<b>PiperSport</b>			Serial No. : <b>P1001085</b>				
<b>F U E L</b>	gauges together		for 30 min flight	<b>1 / 4</b>	<b>1 / 2</b>	<b>3 / 4</b>	<b>1</b>
	volume	liter	14	28.5	57	85.5	114
		US gal	3.7	7.5	15.1	22.6	30.1
	weight	kg	10.1	20.5	41	61.6	82.1
lb		22.2	45.1	90.3	135.4	180.6	
			<b>Permitted crew weight</b>				
<b>B A G G A G E</b>	No baggage	kg	<b>217</b>	<b>207</b>	<b>186</b>	<b>165</b>	<b>145</b>
		lb	477	454	409	364	319
	½ rear (A) <b>9 [kg] (20 [lb])</b>	kg	<b>208</b>	<b>198</b>	<b>177</b>	<b>156</b>	<b>136</b>
		lb	457	435	389	344	299
	rear (A) <b>18 [kg] (40 [lb])</b>	kg	<b>199</b>	<b>189</b>	<b>168</b>	<b>147</b>	<b>127</b>
		lb	438	415	370	324	279
	½ wing lockers <b>20 [kg] (44 [lb])</b>	kg	<b>197</b>	<b>187</b>	<b>166</b>	<b>145</b>	<b>125</b>
		lb	433	410	365	320	275
	½ rear (A) + ½ wing lockers <b>29 [kg] (64 [lb])</b>	kg	<b>188</b>	<b>178</b>	<b>157</b>	<b>136</b>	<b>116</b>
		lb	413	391	345	300	255
	rear (A) + ½ wing lockers <b>38 [kg] (84 [lb])</b>	kg	<b>179</b>	<b>169</b>	<b>148</b>	<b>127</b>	<b>107</b>
		lb	394	371	326	280	235
	wing lockers <b>40 [kg] (88 [lb])</b>	kg	<b>177</b>	<b>167</b>	<b>146</b>	<b>125</b>	<b>105</b>
		lb	389	366	321	276	231
½ rear (A) + wing lockers <b>49 [kg] (108 [lb])</b>	kg	<b>168</b>	<b>158</b>	<b>137</b>	<b>116</b>	<b>96</b>	
	lb	369	347	301	256	211	
rear (A) + wing lockers <b>58 [kg] (128 [lb])</b>	kg	<b>159</b>	<b>149</b>	<b>128</b>	<b>107</b>	<b>87</b>	
	lb	350	327	282	236	191	
<b>Crew weight = Max. Takeoff weight - Empty weight - Baggage weight - Fuel weight</b>							

**Crew weight values must be determined with regard on rearward C.G. limit.**

**Max. takeoff weight : 600 [kg] (1,320 [lb])**

2011-02-09

## **6.7 Installed equipment list of PiperSport aircraft S/N : P1001085**

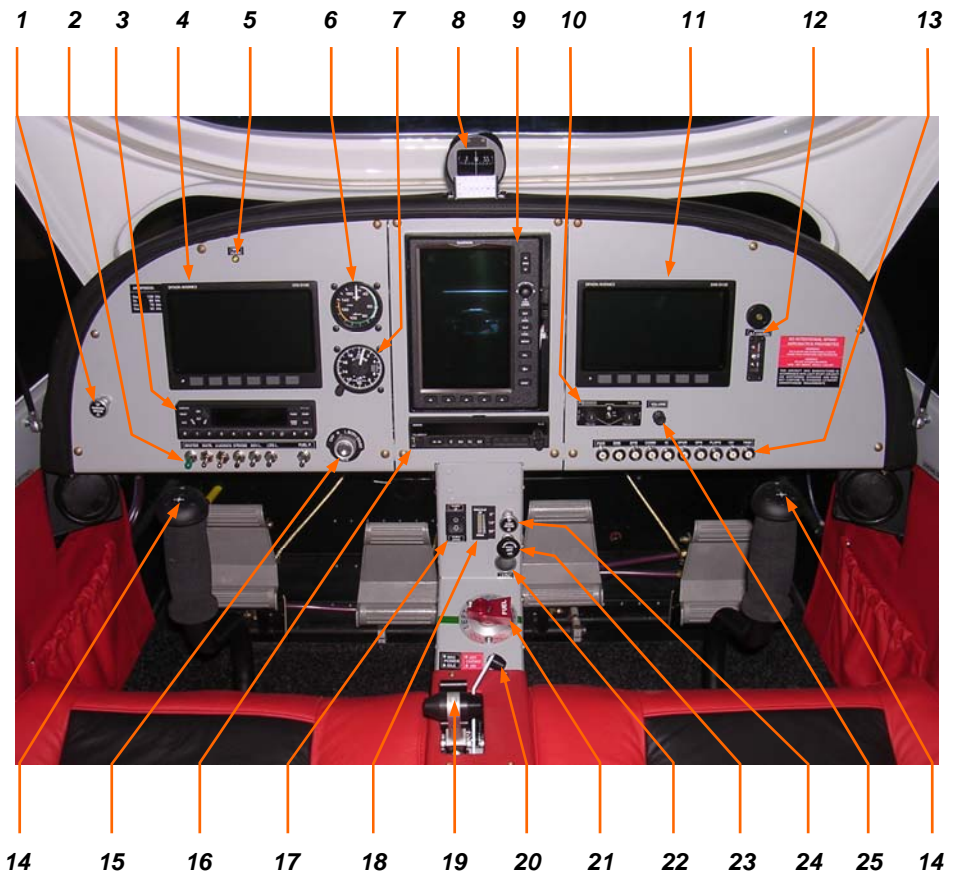
- *Rotax 912 ULS*
- *Woodcomp KLASSIC 170/3/R*
- *Dynon D100 EFIS*
- *Dynon D120 EMS*
- *Backup Airspeed indicator*
- *Backup Altimeter*
- *MCDS-2 Magnetic Compass*
- *Garmin SL40 transceiver*
- *PS Engineering PM3000 intercom*
- *Garmin GTX327 transponder*
- *King AK451 ELT*
- *AirGizmos, Garmin 695 GPS*
- *Antennas*
- *G -205 trim control and PTT on the control sticks*
- *Trims and flaps electrically actuated*
- *Kuntzleman wing tips strobe/nav. lights*
- *Landing light in cowl*
- *Adjustable pedals*
- *Dual hydraulic brakes*
- *Parking brake*
- *Wheel fairings tricycle*
- *Cabin heating*
- *Carburetor preheating*
- *Leather upholstery*
- *Paint*
- *Sunshade*

2011-02-09

## 7. DESCRIPTION OF AIRPLANE AND SYSTEMS

### 7.4 Instrument panel

Instrument panel layout of *PiperSport* aircraft S/N: *P1001085*



**Description of instrumentation and controls in the cockpit**

1	<b>Parking brake</b>	14	<b>PTT / elevator trim / aileron trim buttons</b>
2	<b>Switches / Circuit breakers*</b>	15	<b>Ignition switch</b>
3	<b>Transponder</b>	16	<b>Transceiver</b>
4	<b>Dynon EFIS</b>	17	<b>Flaps control switch</b>
5	<b>EMS warning light</b>	18	<b>Flaps position indicator</b>
6	<b>Backup Airspeed indicator</b>	19	<b>Throttle</b>
7	<b>Backup Altimeter</b>	20	<b>Choke</b>
8	<b>Magnetic compass</b>	21	<b>Fuel selector valve</b>
9	<b>GPS</b>	22	<b>Socket 12V</b>
10	<b>PS Engineering Intercom</b>	23	<b>Carburetors preheating</b>
11	<b>Dynon EMS</b>	24	<b>Cabin heating</b>
12	<b>ELT control unit and buzzer</b>	25	<b>Flaps control switch</b>
13	<b>Circuit breakers *</b>		

\* Switches and circuit breakers detailed description is in this Supplement, page 10 of 14.

## ***Instruments and Avionics***

- *Dynon D100 EFIS*
- *Dynon D120 EMS*
- *Backup Airspeed indicator*
- *Backup Altimeter*
- *MCDS-2 Magnetic Compass*
- *Garmin SL40 transceiver*
- *PS Engineering PM3000 intercom*
- *Garmin GTX327 transponder*
- *King AK451 ELT*
- *AirGizmos, Garmin 695 GPS*
- *Antennas*

### **NOTE**

*For instrument and avionics operating instructions refer to the documentation supplied with the instruments and avionics.*

## ***Miscellaneous equipment***

- *G -205 trim control and PTT on the control sticks*
- *Trims and flaps electrically actuated*
- *Kuntzleman wing tip strobe/nav. lights*
- *Landing light in cowl*
- *Adjustable pedals*
- *Dual hydraulic brakes*
- *Parking brake*
- *Wheel fairings tricycle*
- *Cabin heating*
- *Carburetor preheating*
- *Leather upholstery*
- *Paint*
- *Sunshade*

**Description of switches and circuit breakers**

<b>LEFT PART OF INSTRUMENT PANEL</b>	<b>MASTER</b>		circuit breaker	25A
	<b>INSTR.</b>	<i>engine instruments</i>	switch	-
	<b>AVIONICS</b>		switch	-
	<b>STROBE</b>		circuit breaker	10A
	<b>NAV.L.</b>	<i>navigation lights</i>	circuit breaker	5A
	<b>LDG. L.</b>	<i>landing light</i>	circuit breaker	5A
	<b>FUEL P.</b>	<i>fuel pump</i>	circuit breaker	5A
<b>RIGHT PART OF INSTRUMENT PANEL</b>	<b>PWR</b>	<i>power (generator)</i>	circuit breaker	20A
	<b>EMS</b>		circuit breaker	2A
	<b>EFIS</b>		circuit breaker	3A
	<b>COMM</b>	<i>transceiver</i>	circuit breaker	5A
	<b>IC</b>	<i>intercom</i>	circuit breaker	1A
	<b>XPDR</b>	<i>transponder</i>	circuit breaker	5A
	<b>GPS</b>		circuit breaker	3A
	<b>FLAPS</b>		circuit breaker	5A
	<b>12 V</b>	<i>socket 12V</i>	circuit breaker	7A
	<b>TRIM</b>		circuit breaker	1A

## 8. HANDLING AND SERVICING

### 8.5 *Servicing operating fluids*

#### 8.5.2 Approved oil grades and specifications

**Type of oil used by aircrafts manufacturer:**

AeroShell Oil Sport Plus 4

SAE: 10W-40      API: SL

#### 8.5.3 Approved coolant grades and specifications

**Type of coolant used by aircrafts manufacturer:**

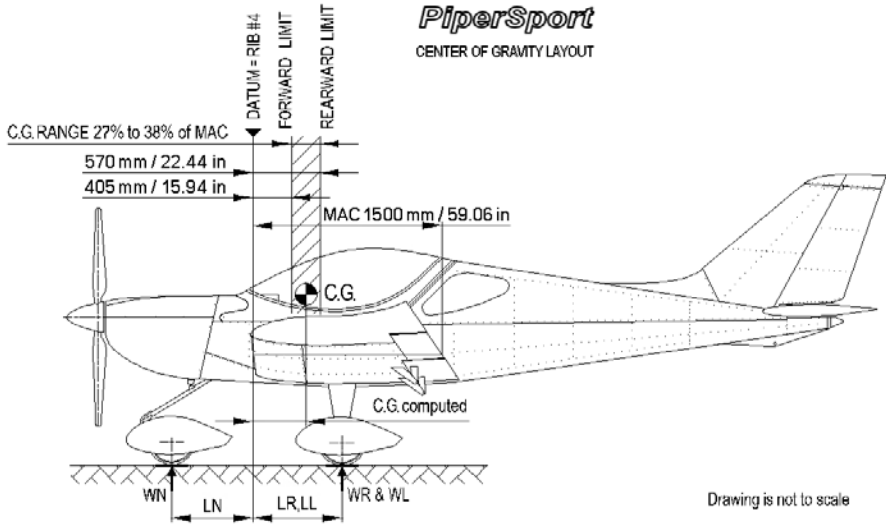
Specification: ASTM D 3306, VW TL 774C

Mixture ratio coolant / water: 50/50 [%]

Max. coolant temperature: 120 [°C] (248 [°F])



### Blank form of Weight & Balance record



AIRCRAFT EMPTY C.G.	ITEM	WEIGHT [kg/lb]	ARM [mm/in]	MOMENT (WEIGHT x ARM)
	RIGHT MAIN WHEEL	$W_{R=}$	$L_{R=}$	
	LEFT MAIN WHEEL	$W_{L=}$	$L_{L=}$	
	NOSE WHEEL	$W_{N=}$	$L_{N=}$ - negative arm	-
COMPUTED C.G. EMPTY	Empty weight: $W_{E=}$ [kg/lb]	C.G. = [mm/in] % MAC	Aircraft moment: $M_{E=}$	

**NOTE:**

EMPTY WEIGHT INCLUDING OIL, COOLANT AND HYDRAULIC FLUID.

MAXIMUM FUEL QUANTITY IN WING TANKS (82.1KG=114L / 180.62LB=30.1US GAL) IS USED FOR MOST FORWARD C.G. CALCULATION.

MINIMUM FUEL QUANTITY IN WING TANKS FOR 30 MINUTES FLIGHT (10.1KG=14L / 22.2LB=3.7US GAL) IS SUBTRACTED FROM MTOW (600KG / 1,320LB). MOST REARWARD C.G. CALCULATION IS DONE WITH ZERO FUEL QUANTITY (AFTER FUEL DEPLETION).

<b>AIRCRAFT C.G.</b>	<b>WEIGHT</b> [kg/lb]	<b>ARM</b> [mm/in]	<b>MOMENT</b> (WEIGHTxARM)
<b>EMPTY AIRCRAFT</b>		-----	
<b>PILOT</b>		700 / 27.56	
<b>PASSENGER</b>		700 / 27.56	
<b>BAGGAGE COMPARTMENT - A</b>		1,310 / 51.58	
<b>BAGGAGE COMPARTMENT - B</b>		1,800 / 70.87	
<b>WING LOCKERS</b>		600 / 23.62	
<b>FUEL TANKS</b>		180 / 7.09	
<b>TOTAL</b>	<b>W<sub>T</sub>=</b>		<b>M<sub>T</sub>=</b>
<b>TAKEOFF WEIGHT</b>	[kg/lb]		<b>C.G.=</b> [mm/in] [%] MAC

**Max. takeoff weight :** 600 [kg] (1,320 [lb])

**Max. weight in baggage compartment A+B :** 18 [kg] (40 [lb])

**Max. weight in wing lockers together :** 40 [kg] (88 [lb])

**Empty weight C.G. range :** 420 to 480 [mm] (16.54 to 18.90 [in]) / 28 to 32 [%] of MAC

**Operating C.G. range :** 405 to 570 [mm] (15.94 to 22.44 [in]) / 27 to 38 [%] of MAC

**Maximum useful weight:**

$$W_{Max. Useful} = W_{Max. Takeoff} - W_E$$

$$W_{Max. Useful} = 600 [kg] (1,320 [lb]) - \quad = \underline{\quad} [kg]/[lb]$$

**This useful weight must be never exceeded!**

NOTE: MAXIMUM USEFUL WEIGHT INCLUDING PILOT, PASSENGER, BAGGAGE AND FUEL.

$$\text{Aircraft C.G.} = \frac{M_E (M_T)}{W_E (W_T)} [mm/in] \times \frac{100}{MAC} [%]$$

<b>Registration:</b>
<b>Serial No.:</b>
<b>Date:</b>
<b>By:</b>

**Blank form of Permitted payload range**

<b>PiperSport</b>			Serial No. :				
<b>F U E L</b>	gauges together		for 30 min flight	<b>1 / 4</b>	<b>1 / 2</b>	<b>3 / 4</b>	<b>1</b>
	volume	liter	14	28.5	57	85.5	114
		US gal	3.7	7.5	15.1	22.6	30.1
	weight	kg	10.1	20.5	41	61.6	82.1
lb		22.2	45.1	90.3	135.4	180.6	
			<b>Permitted crew weight</b>				
<b>B A G G E W E I G H T</b>	No baggage	kg					
		lb					
	½ rear (A) <b>9 [kg] (20 [lb])</b>	kg					
		lb					
	rear (A) <b>18 [kg] (40 [lb])</b>	kg					
		lb					
	½ wing lockers <b>20 [kg] (44 [lb])</b>	kg					
		lb					
	½ rear (A) + ½ wing lockers <b>29 [kg] (64 [lb])</b>	kg					
		lb					
	rear (A) + ½ wing lockers <b>38 [kg] (84 [lb])</b>	kg					
		lb					
	wing lockers <b>40 [kg] (88 [lb])</b>	kg					
		lb					
	½ rear (A) + wing lockers <b>49 [kg] (108 [lb])</b>	kg					
		lb					
rear (A) + wing lockers <b>58 [kg] (128 [lb])</b>	kg						
	lb						
<b>Crew weight = Max. Takeoff weight - Empty weight - Baggage weight - Fuel weight</b>							

**Crew weight values must be determined with regard on rearward C.G. limit.**

**Max. takeoff weight : 600 [kg] (1,320 [lb])**

*Intentionally left blank*